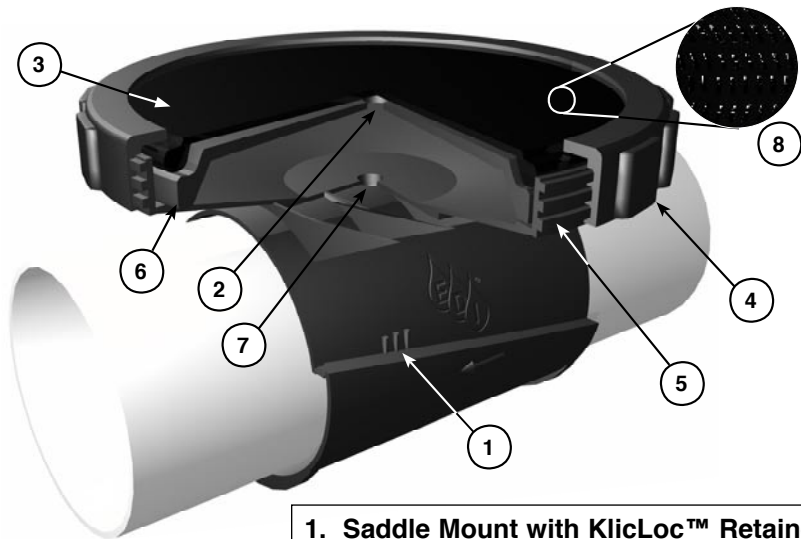
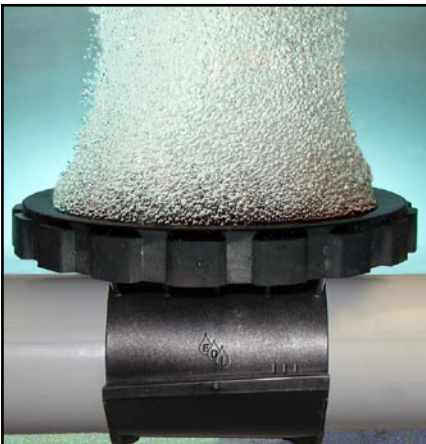


PRODUCT SPECIFICATION SHEET

EDI FlexAir[®] Disc with Spectrum[™] Saddle Mount Fine Pore Flexible Membrane Technology

FlexAir Disc diffuser incorporates EDI advanced technologies for superior aeration performance, flexibility, and reliability.

- Precision die cut openings for high oxygen transfer, uniform air release, and low operating pressure
- High capacity membrane option available for maximum airflow and low operating pressure
- Advanced technology premium quality membrane materials available in EPDM, special polymer blends, or convertible to ceramic media as required
- Full 9-inch (230 mm) of active surface area
- Triple check valve design prevents entry of liquid/solids into piping. Ideal for on / off applications
- Resistant to fouling and plugging for low maintenance
- Rugged, heavy-duty construction – withstands over 700 lbs (318 kgs) edge load without failure
- Glass fiber reinforced polypropylene construction for maximum chemical, temperature, and UV resistance
- Spectrum Saddle Mount provides ease of installation and maintenance
- KlicLoc[™] retainer for positive mechanical lock
- Available in 3-in and 4-in, and 90-mm and 110-mm pipe sizes for design flexibility
- Mounts on any pipe material (PVC, ABS, CPVC, SS, etc.)
- Standard units IN STOCK for immediate shipment



1. Saddle Mount with KlicLoc[™] Retainer
2. Primary Check Valve Feature
3. Flexible Membrane Media
4. Membrane Retainer Ring
5. Diffuser Body
6. Backer Plate
7. Air Inlet Orifice
8. Die Cut Perforations



www.wastewater.com
Environmental Dynamics Incorporated

30
YEARS
1975-2005

PRODUCT SPECIFICATION SHEET

The FlexAir® disc diffuser provides unmatched mechanical strength, operating flexibility and oxygen transfer efficiency. The innovative Spectrum Saddle Mount provides maximum mechanical integrity – up to three times the strength of conventional solvent welded mounting systems.

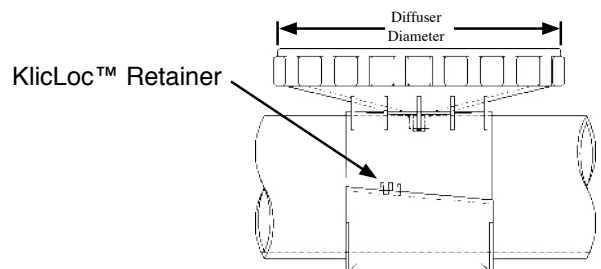
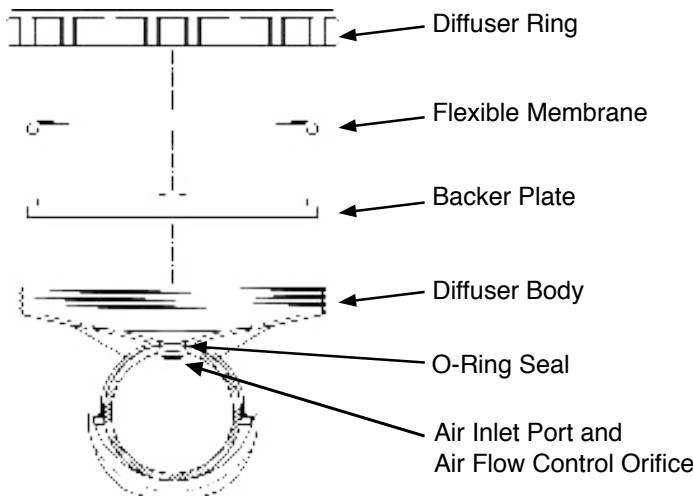
The FlexAir disc diffuser is provided with premium quality membrane materials that are engineered by the EDI Membrane Technologies division. EDI's proprietary membrane materials are engineered for superior product life. Multiple membrane perforations are available to optimize the performance of the diffuser for maximum operating efficiency. An integral triple check valve feature prevents the backflow of liquid into the diffuser and piping.

The FlexAir disc diffuser is ideally suited for on/off applications and requires minimal maintenance for long-term performance.

The EDI FlexAir disc diffuser allows easy conversion to ceramic media as required and all diffusion media options (ceramic and membrane) are compatible with other 9-inch disc diffusers.

The diffuser assembly and Spectrum Saddle Mount is available in glass-fiber reinforced polypropylene for maximum performance. This material option offers greater mechanical and temperature capabilities as conventional PVC or CPVC products. The Spectrum Saddle Mount is compatible with any pipe material and is available in 3 and 4-inch, and 90 and 110-mm diameter sizes. This flexibility allows the air conveyance system to be sized to match project objectives.

The Spectrum Saddle Mount features an air inlet port that inserts into pipe and the KlicLoc™ retainer positively locks the assembly to the lateral piping. Once installed, the assembly can withstand an external perimeter load in excess of 700 pounds (318 kgs) without failure.



Model	Peak Airflow		Design Airflow		Design DWP*		Diffuser Diameter		Active Surface Area		Dry Weight		Net Operating Buoyancy**	
	scfm	sm ³ /hr	scfm	sm ³ /hr	in H ₂ O	kPa	in	mm	ft ²	cm ²	lb	kg	lb	kg
Standard Capacity	7.0	11.9	0.5-5.0	0.8-8.5	8.0-12.0	2.0-3.0	10.9	277.0	0.4	380.9	2.6	1.2	+3.14	+1.42
High Capacity	11.0	18.7	1.0-8.0	1.7-13.6	4.5-11.0	1.1-2.7	10.9	277.0	0.4	380.9	2.6	1.2	+3.14	+1.42

*DWP includes air inlet orifice.

**Buoyancy: +Indicates Up, - Indicates Down



Environmental Dynamics Inc.

5601 Paris Road Columbia, MO 65202
USA 573-474-9456

For Parts Information:
parts@wastewater.com
www.diffuserexpress.com

For System Information:
systems@wastewater.com
www.wastewater.com