

# TASKMASTER®



## *Twin Shaft Shredders*

*Shreds Bulk Solids En-masse*

*Reduces Volume by up to 80%*

*Aids in Recycling and Security*

*Cuts Waste*

*Low Rotational Speed*

*Split Body Design for Fast Change-out*

(973) 535-9200 • Fax (973) 535-6269

**Franklin  
Miller**  
THE SIZE  
REDUCTION  
SPECIALISTS

# TASKMASTER®

## Powerful Size Reduction of Bulk Solids

TASKMASTER Shredders quickly reduce a variety of bulk solids up to 80% with their powerful shredding action. These units cut storage and disposal costs, reduce scrap, and aid in the safe disposal of sensitive, substandard or hazardous materials. These versatile units have truly remarkable shredding capabilities on a wide range of materials including: packaging, hospital waste, aluminum cans, PET/HDPE bottles, computer printouts, manufacturing rejects, pharmaceutical rejects, glass/glass containers, plastic purgings/sprues, wood/skids/pallets/crates, concession waste, newspapers, steel drums and much more.

### Outstanding Capabilities

Two banks of hardened and ground cutter disks on counter-rotating hex shafts slowly intermesh one with another. Solids are grabbed, torn and sheared by the tremendous forces generated by this high torque mechanism. The unit operates with remarkably little vibration or noise.

An S260 Automatic Control unit is provided with PLC logic that senses jam conditions and automatically cycles the unit to clear the obstruction or signal an operator.

### Available Cutters



TASKMASTER cutters are precision manufactured to exacting standards to provide optimal shredding and long life. A variety of unique cutter styles is available to maximize performance on specific applications .... yet another reason TASKMASTER performance is second to none.



Twin banks of hardened and ground cutter disks on counter-rotating hex shafts.



THE SIZE  
REDUCTION  
SPECIALISTS

(973) 535-9200 • Fax (973) 535-6269

**Construction**

TASKMASTER Shredders are heavily constructed for long life and dependability. With a unique split-body design on many models, the entire cutter stack can be removed as one piece for ease of maintenance. All units use high-strength, heat-treated alloy hex shafting to support cutters and spacers. A direct-coupled, heavy gear drive generates the high torque, low speed rotation.

**Options**

- Packing Ram
- Feeders and Conveyors
- Special Hopper and Stands
- Output Sizing Screens
- Sealed Design for Submerged Service
- Two-Stage Systems
- Stainless Steel Construction



**TO THE RESCUE:**

The Statue of Liberty has over 4,200,000 visitors per year. Disposal costs for concession and other waste, removable only by barge, had been growing at an alarming rate. That's when they contacted Franklin Miller. The solution was the installation of a TASKMASTER Shredder, which reduced the volume of their bulk waste by 78% for savings in haulage fees that were truly monumental.

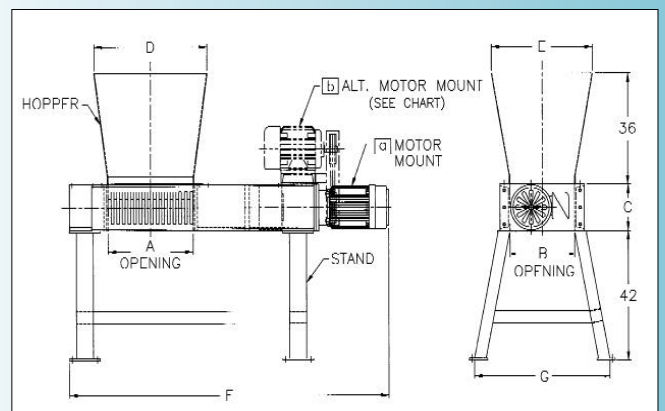


**Configurations**

TASKMASTER Shredders can be configured to meet almost any application or installation requirement. Typically, each unit is supplied complete with control, stand and standard hopper. Many special hopper configurations are available. Units can be supplied with our Packing Ram option to assist in solids feeding. Models TM1600 and TM2300 are supplied with a straight through inline drive; models TM2800 and TM3200 are provided with belt drives between the gear reducer and the motor. Complete shredding systems can be provided incorporating: conveyors, system controls, feeders, scales air filters, liquid handling systems and more. Our application engineers will be glad to work closely with you to configure a unit to meet your application.

MODEL NO.	INPUT		C	D	E	F	G	TYPICAL HP	MOTOR MOUNT
	A	B							
TM8524	24 (610mm)	9 (229mm)	7 (178mm)	36 (914mm)	24 (610mm)	68 (1727mm)	24 (610mm)	3-5	a
TM1620	20 (508mm)	16 (406mm)	13 (330mm)	30 (762mm)	30 (762mm)	90 (2286mm)	30 (762mm)	10-15	a
TM1630	30 (762mm)	16 (406mm)	13 (330mm)	40 (1016mm)	30 (762mm)	100 (2540mm)	30 (762mm)	10-15	a
TM2324	24 (610mm)	23 (584mm)	15 (381mm)	34 (864mm)	36 (914mm)	108 (2743mm)	48 (1219mm)	25-40	a
TM2330	30 (762mm)	23 (584mm)	15 (381mm)	40 (1016mm)	36 (914mm)	114 (2896mm)	48 (1219mm)	25-40	a
TM2342	42 (1069mm)	23 (584mm)	15 (381mm)	52 (1321mm)	36 (914mm)	126 (3200mm)	48 (1219mm)	25-40	a
TM2354	54 (1372mm)	23 (584mm)	15 (381mm)	64 (1626mm)	36 (914mm)	138 (3505mm)	48 (1219mm)	40	a
TM2842	42 (1069mm)	28 (711mm)	15 (381mm)	52 (1321mm)	42 (1069mm)	152 (3861mm)	60 (1524mm)	75	b
TM2860	60 (1524mm)	28 (711mm)	15 (381mm)	70 (1778mm)	42 (1069mm)	170 (4318mm)	60 (1524mm)	75	b
TM3242	42 (1069mm)	32 (813mm)	18 (457mm)	52 (1321mm)	48 (1219mm)	164 (4166mm)	72 (1829mm)	100	b
TM3260	60 (1524mm)	32 (813mm)	18 (457mm)	70 (1778mm)	48 (1219mm)	182 (4623mm)	72 (1829mm)	100	b

*Other sizes, alloys and configurations are available.*



*Our in-house test facility is available to demonstrate actual performance and results on your material.*

Sleek, inline body design of the Model TM2300.



## A Model For Every Need:

### Model TM1600:

The versatile TM1600 reduces: documents • product rejects and returns • fabric • filters • bottles and containers • plastics • turnings • packaging • wood and paper • clothing • electronic components • sewage • screenings.

### Model TM2300:

Reduces: rejects and waste • bulk bags • screenings • medical waste • bottles and containers • packaging • corrugated • hazardous waste • pallets • plastics • turnings • wood • documents • cans • plastic drums.

### Model TM2800:

Reduces: tires • pallets • steel drums • wood • documents en masse • hazardous waste • solid propellant • manufactured items. The TM2800 unit features pure power for really tough jobs and has been supplied for solids, as well as submerged applications.

### Model TM3200:

The powerful TM3200 shreds: heavy wood items and pallets • construction debris • tires • automobile components • large or heavy steel drums • manufactured items and more. This unit can be supplied for mobile, as well as stationary usage.

#### POWERFUL SIZE REDUCTION



A TM2800 quickly reduces heavy gauge barrels in seconds.



The high-torque grinding action of a dual-shaft TM2300 reduces wood and wood pallets for easy disposal.



Two stage TASKMASTER System with controller.