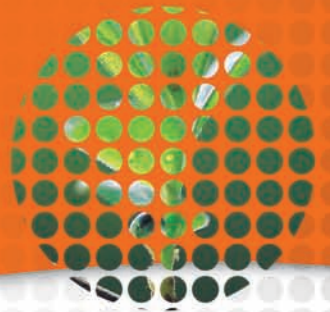


JOHN MEUNIER

ROTOPAC® TYPE RDW SHAFTLESS SCREW COMPACTORS & WASHERS



Solutions & Technologies

ROTOPAC® TYPE RDW

Shaftless Screw Compactors & Washers

RDW screw compactors offer a simple, cost-effective solution for the conveying, dewatering, washing and compaction of screenings as well as other process or waste materials.

The RDW compactor consists of a shaftless spiral screw inside a trough fitted with bolted removable covers. The solids enter an inlet feed port, then conveyed through the dewatering, washing and compaction sections where they are discharged. Solids volume reduction of 40% or greater can be obtained. Drainage water is usually returned to the main stream for treatment. The addition of spray wash in the transport zone will provide higher organic removal.

A continuous bagging system can be fitted to the compactor discharge, to provide a totally enclosed system that will enhance odor control. The bag also eliminates possible physical contact with the sealed solids.

The RDW type compactors are manufactured with bolted sections to allow superior inspection and maintenance access, which in turn will increase the equipment performance and life.

Benefits

- Easy operation and maintenance
- High reliability and long life
- Non-clogging even with fibrous materials
- Fully enclosed
- Low noise & Low energy requirements
- No internal bearings
- Heavy-duty spiral
- Single units can be designed for conveyance length up to 40 feet



(Selection chart for reference only)

Model	Solids Feed Rating (Ft ³ /h)
RDW-200	70
RDW-300	175
RDW-400	280

John Meunier Inc. offers complete headworks solutions. We are recognized for our expertise in complete headworks design. We provide efficient solutions, combining key equipment from our product line. Call us today to find out about our great products!

ROTOPAC® TYPE RDW

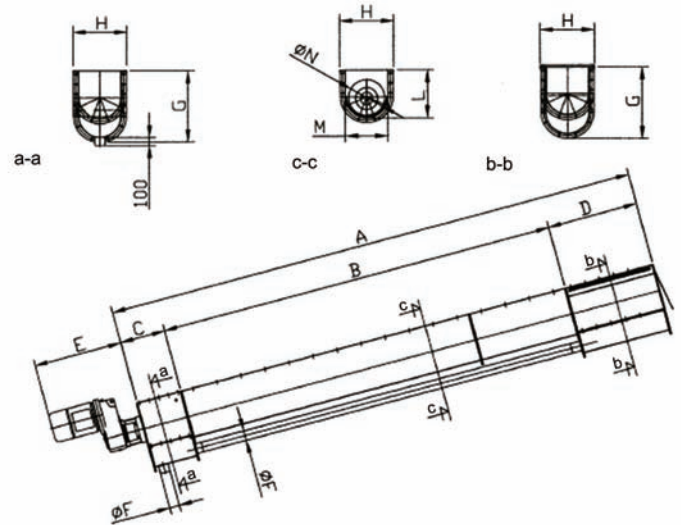
Shaftless Screw Compactors & Washers

Dimensions

(For reference only)

- Please contact John Meunier Inc. for specific applications.
(Dimensions in inches)

Model	RDW-200	RDW-300	RDW-400
A	115	163	213
B	79	119	158
C	16	16	18
D	20	28	37
E	21	24	29
F	2,5	2,5	4
G	16	22	29
H	13	117	22
L	10	15	20
M	9	13	17
N (Nominal)	7,5	11,0	14,5
HP	2,0	5,0	7,5



Specifications

Fabrication

Housing and accessories: Stainless steel AISI 304 or AISI 316 on request

Spiral: Micro-Alloy steel or Stainless steel on request (AISI 304 or 316)

Liners: high density non-metallic material or stainless steel (depending on the application)

Efficiency

Screenings volume reduction $\geq 40\%$

Up to 80% solids washing can be obtained depending on the solids properties

Features

- high quality and reliability at low costs
- simple and robust
- quick and easy installation
- retrofit capability
- stainless steel fabrication
- protection of downstream plant and drains
- very low maintenance

Typical Applications

- Municipal wastewater treatment
- Industrial effluent discharge
- Paper mills, abattoirs, food processing
- Chemical industry, refineries

Veolia Water Solutions & Technologies North America



John Meunier Inc. has been serving North-American municipalities and industries since 1948 by offering them complete water and wastewater treatment solutions. With our state-of-the-art technologies, efficient products and team of seasoned professionals, we design solutions to perfectly match the needs of our clients.

John Meunier Inc. is a subsidiary of Veolia Water Solutions & Technologies, the Veolia Water division which designs and manufactures technological solutions for water and wastewater treatment. Veolia Water is the world leader in water services, serving over 110 million people worldwide with close to 68,000 employees.

www.veoliawaterst.com

John Meunier Inc.

ISO 9001: 2008

Head Office

4105, rue Sartelon
Saint-Laurent, QC, Canada
H4S 2B3
T 514-334-7230 • F 514-334-5070

Ontario Office

2000 Argentia Road, Plaza IV, Suite 430
Mississauga, ON, Canada
L5N 1W1
T 905-286-4846 • F 905-286-0488

USA Office

2209 Menlo Ave
Glenside, PA, USA
19038
T 215-885-4740 • F 215-885-4741

sales@johnmeunier.com
www.johnmeunier.com