

IN CHANNEL DRUM SCREEN



The In Channel Drum Screen is suitable for treating flow rates up to 45 mgd per screen.

FEATURES

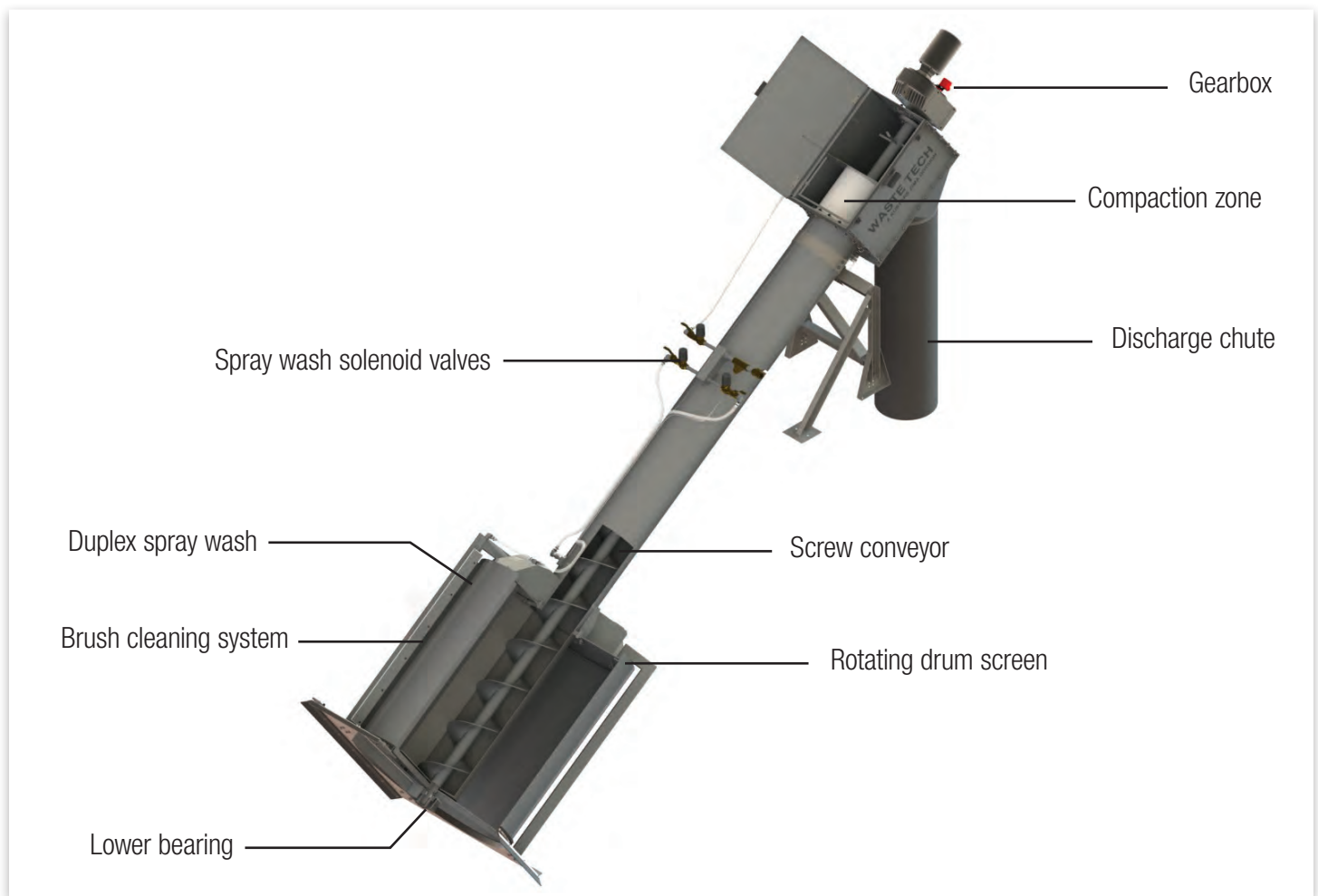
- Perforated drum perforations from 2 to 6 mm
- Wedge wire mesh drum openings from 2 to 6 mm
- Channel or tank mounting
- Integrated screenings wash system
- All stainless steel construction 304 or 316
- Suitable to treat flow rates up to 45 mgd per screen
- Integral compaction and dewatering
- Brush cleaning system
- Duplex spray wash system

APPLICATIONS

- Municipal sewage treatment plants
- Industrial wastewater treatment
- MBR pre-screening



Water and Wastewater Equipment by: **WASTE-TECH** **HI-TECH**



PRINCIPLE OF OPERATION

In channel perforated rotary drum screens are used to improve the suspended solids capture rate in wastewater treatment plants from the typical 10-20% range of coarse bar screens to the 60-80% range. Taking more of the inert solids out of the flow greatly improves the treatment process and reduces operation and maintenance costs. Today's modern in channel rotary drum screens are inclined 30-35 degrees. As the inflow enters the rotary drum, the flow level rises to a pre-set level causing the drum drive to turn on. As the drum turns, the combined duplex spray and brush cleaning system cleans the inside of the drum. The screenings (captured solids) fall by gravity into an inclined conveyor screw. The screw then transports the screenings to the compaction zone for dewatering and compaction.

For more information call **864.576.0660**
or visit **kusterswater.com**



Water and Wastewater Equipment by: **WASTE-TECH** **HI-TECH**