

TRICKLING FILTER ROTARY DISTRIBUTORS



OVERVIEW

Kusters Water / Hi-Tech offers a complete line of trickling filter rotary distributors for use in industrial and municipal applications. All distributors are designed to provide a uniform flow distribution, high BOD removals and a stable effluent. Distributor arms are tapered to maintain fluid velocity, and are available in two cross-sectional designs: Rectangular arms equipped with side-mounted nozzles or Trapezoidal arms with integral flow deflectors. Optional motorized designs with direct drives are available to provide more controllable dosing rates (SK Values) resulting in improved filter performance.



Aluminum Construction

All styles are available in two or four arm designs and manufactured in hot dip galvanized steel, aluminum, or stainless steel. Every distributor is designed to ensure low maintenance, provide energy efficiency, and deliver consistent performance that result in lower power and maintenance costs, and years or trouble free operation.



Water and Wastewater Equipment by: WASTE-TECH HI-TECH

FEATURES

Sealless Tub Design

Large Orifice Openings (minimizes plugging)

Adjustable Orifice Plates

Maintenance Free Lower Guide Bearing

200,000 HR (>20 yrs) Upper Bearing B-10 Life

OPTIONS

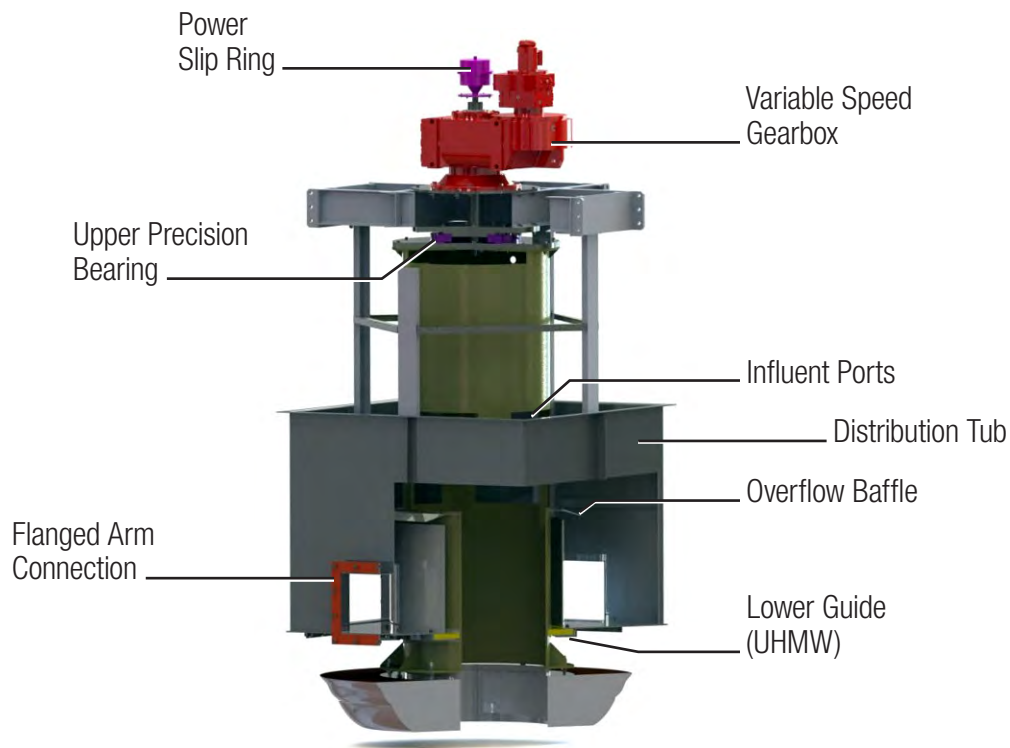
Direct Coupled Drive Assembly

Variable Speed Controller

Stainless Steel Construction

Aluminum Construction

Explosion Proof Components



Typical Motorized Column Assembly.

For more information call **864.576.0660**
or visit **kusterswater.com**



KUSTERS WATER
a division of KUSTERS ZIMA

Water and Wastewater Equipment by: **WASTE-TECH** **HI-TECH**